

ART. **MA35**

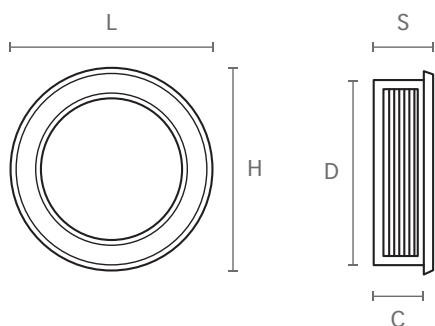
design: Studio Mital



Maniglia in zama pressofusa da incasso.

Die-cast zamac flush handle.

Misure / Sizes



ART.	L	C	H	D	S
MA35	40	10	40	35Ø	12

Finiture / Finishes



Bianco
White



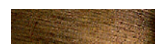
Nichel satinato
Satinated nickel



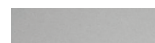
Nero opaco
Matt black



Oro lucido
Shining gold



Bronzo sfumato
Shaded bronze



Cromo
Chrome



Cromo opaco
Matt chrome

ART. **MA40**

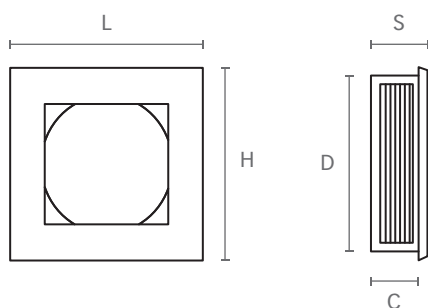
design: Studio Mital



Maniglia in zama pressofusa da incasso.

Die-cast zamac flush handle.

Misure / Sizes



Finiture / Finishes



Cromo
Chrome



Cromo opaco
Matt chrome

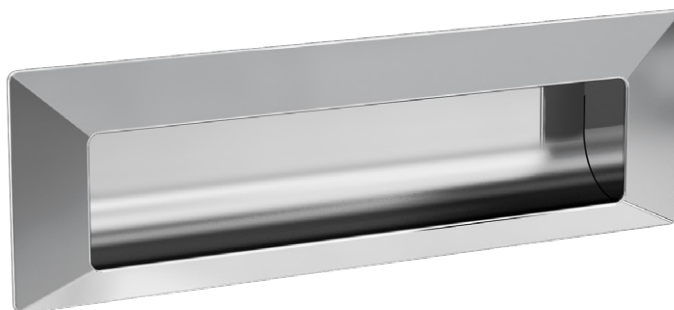


Nichel satinato
Satined nickel

ART.	L	C	H	D	S
M40A	40	10	40	35Ø	12

ART. **MA25**

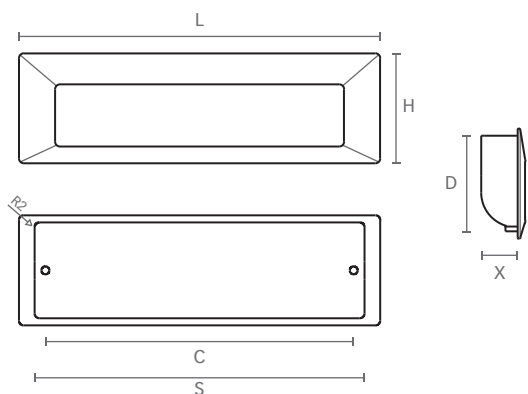
design: Rigo



Maniglia in zama pressofusa da incasso.

Die-cast zamac flush handle.

Misure / Sizes



Finiture / Finishes



Antracite
Anthracite



Cromo
Chrome



Econichel
Econickel

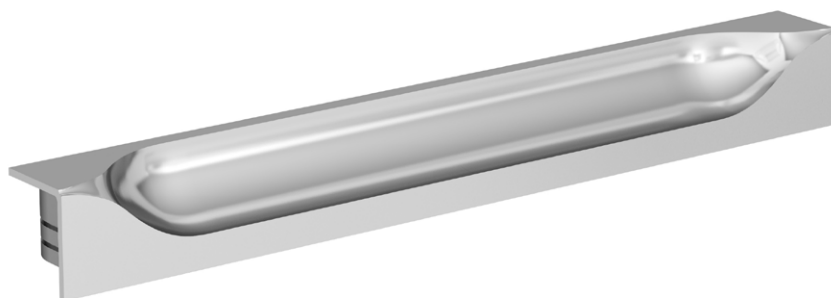


Nichel satinato
Satined nickel

ART.	L	C	H	D	S	X
MA25	150	128	46	40	137	15

ART. **MA20**

design: Rigo

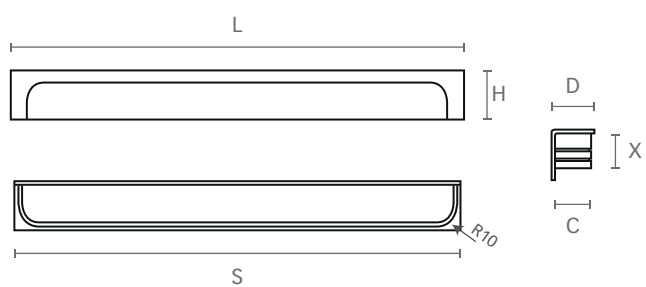


Maniglia in zama pressofusa da incasso.

Die-cast zamac flush handle.

Misure / Sizes

Finiture / Finishes



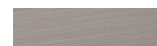
Bianco opaco
Matt white



Cromo
Chrome



Econichel
Econickel



Nichel satinato
Satinated nickel

ART.	L	C	H	D	S	X
MA20	200	16	22	19	197	15