

ART. **3130**

design: Giovanni Martin



Finiture • Finishes

Antracite
Anthracite

Cromo
Chrome

Cromo opaco
Mat chrome

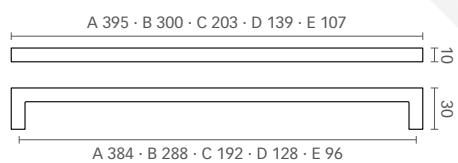
Nichel satinato
Satined nickel

Maniglia in zama pressofusa, completa di viti M4 x 25

Materiale: zama

Die-cast zamac handle with screws M4 x 25

Material: zamac



ART. **3131**

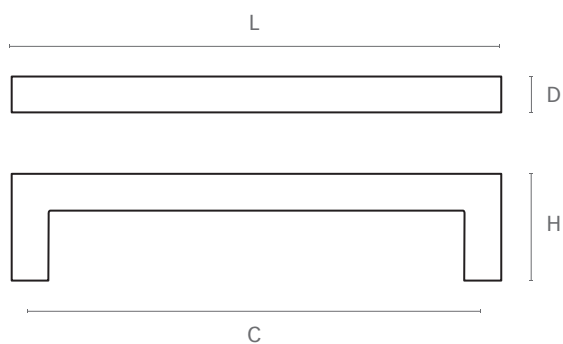
design: Studio Mital



Maniglione in zama pressofusa, completo di kit per fissaggio singolo o accoppiato, su legno e vetro.

Die-cast zamac pull handle with fixing kit, single or coupled, for glass and wood.

Misure / Sizes



Finiture / Finishes



Cromo
Chrome



Cromo satinato
Satined chrome

ART.	L	C	H	D
3131A	333	320	38	13
3131B	173	160	38	13

ART. **3320**

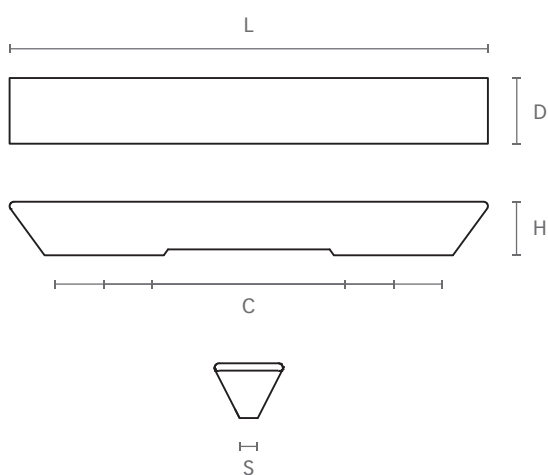
design: Rigo



Maniglia in zama pressofusa multi interasse,
completa di viti M4 x 25.

Die-cast zamac handle multy cc, with M4 x 25 screws
included.

Misure / Sizes



Finiture / Finishes



Bianco
White



Antracite
Anthracite



Cromo
Chrome

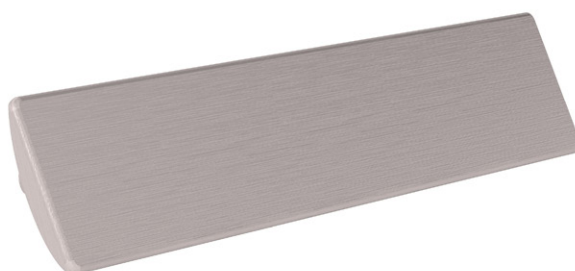


Nichel satinato
Satinated nickel

ART.	L	C	H	D	S
3320A	350	320/288/256	18	22	6,5
3320B	223	192/160	18	22	6,5
3320C	158	128/96/94	18	22	6,5
3320D	54	32/16	18	22	6,5

ART. **3420**

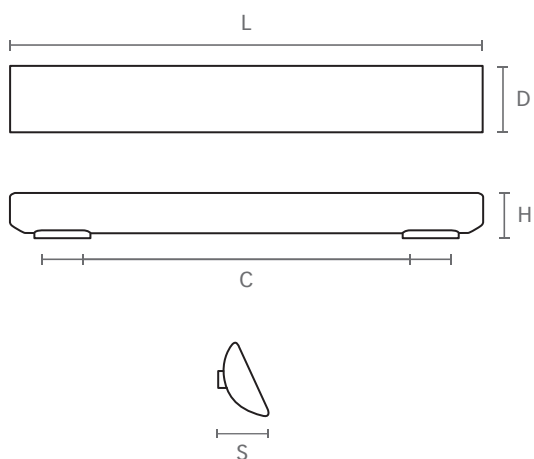
design: Rigo



Maniglia in zama pressofusa con doppio interasse,
completa di viti M4 x 25.

Die-cast zamac handle with double cc,
with M4 x 25 screws included.

Misure / Sizes



Finiture / Finishes



Cromo
Chrome

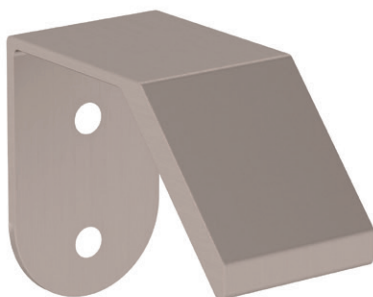


Cromo satinato
Satined chrome

ART.	L	C	H	D	S
3420A	345	320/288	18	26	18
3420B	185	160/128	18	26	18

ART. **3600**

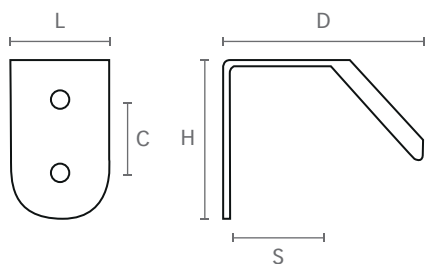
design: Rigo



Maniglia in zama pressofusa, completa di viti 3,5 x 15.

Die-cast zamac handle, with 3,5 x 15 screws included.

Misure / Sizes

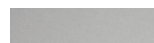


ART.	L	C	H	D	S
3600	22	16	35	44	22

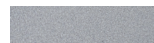
Finiture / Finishes



Bianco
White



Cromo
Chrome



Econichel
Econickel



Nichel satinato
Satinated nickel

ART. **3000**

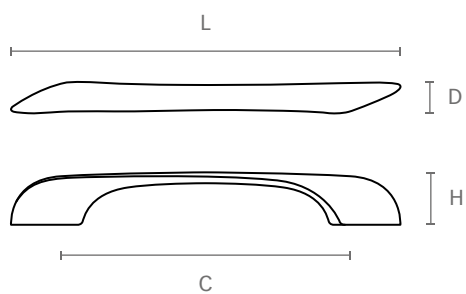
design: Studio Mital



Maniglia in zama pressofusa, completa di viti M4 x 25.

Die-cast zamac handle, with M4 x 25 screws included.

Misure / Sizes



Finiture / Finishes



Cromo
Chrome



Cromo opaco
Matt chrome

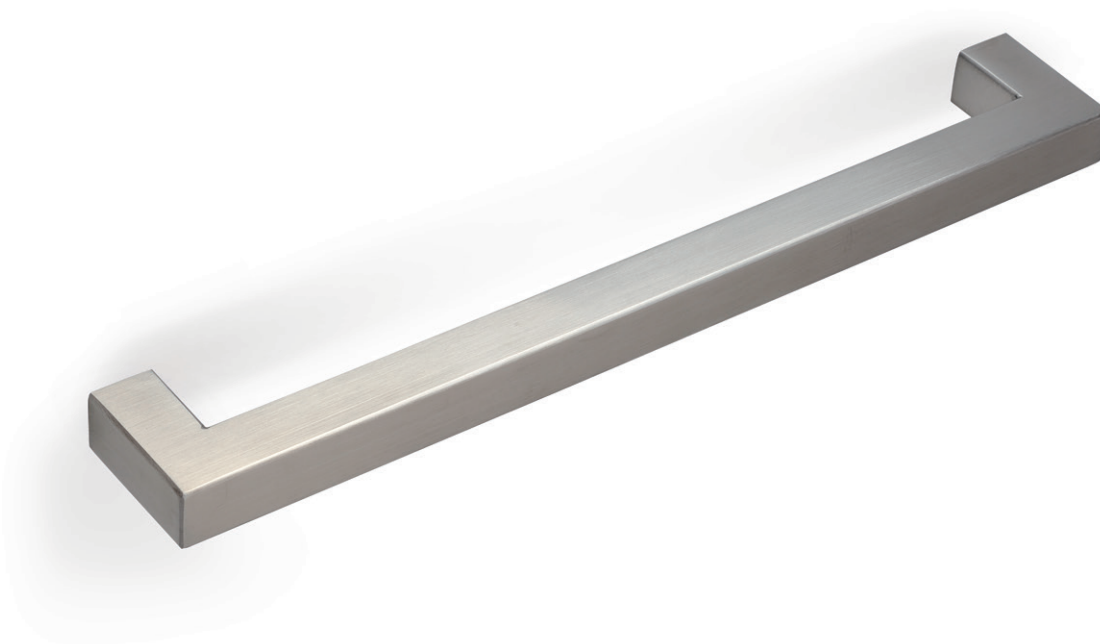


Nichel satinato
Satined nickel

ART.	L	C	H	D
3000A	189	160	22	10
3000B	157	128	22	10
3000C	121	96	21	8
3000D	86	64	21	7

ART. 3110

design: Studio Mital



Maniglia in acciaio inox AISI 304,
completa di viti M4 x 25.

Stainless steel AISI 304 handle,
complete M4 x 25 screw.

Misure / Sizes



Finiture / Finishes



Inox satinato
Satinated stainless steel

ART.	L	C	H	D
3110XXL	815	800	40	15
3110XL	655	640	40	15
3110L	495	480	40	15
3110A	334	320	40	15
3110B	238	224	40	15
3110C	174	160	40	15
3110D	142	128	40	15